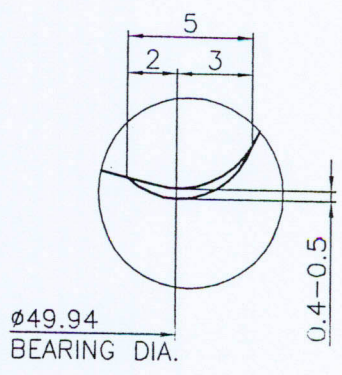
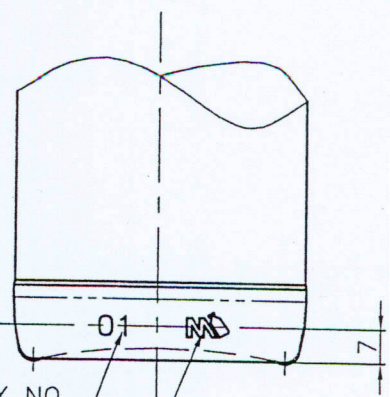


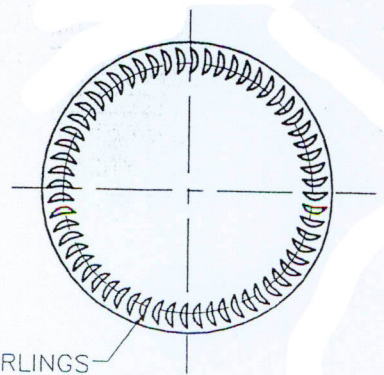
DETAIL A
 SCALE 5:1



DETAIL B
 SCALE 5:1



CAVITY NO.
 4 HT x 0.4 DEEP
 TRADE MARK
 5 HT x 0.4 DEEP



60 NO'S CRESCENT KNURLINGS
 ON BEARING SURFACE

300ml 7up NRBs	
WEIGHT	$230 \pm 9 \text{ g}$
BRIMFUL CAPACITY	$317 \pm 4.5 \text{ ml}$
FILL POINT CAPACITY	$300 \pm 4.5 \text{ ml}$
FINISH TYPE: MCA-1	
SCALE	DRAWING NUMBER:
1:1	B-300 7up NRBs.-DH-A2