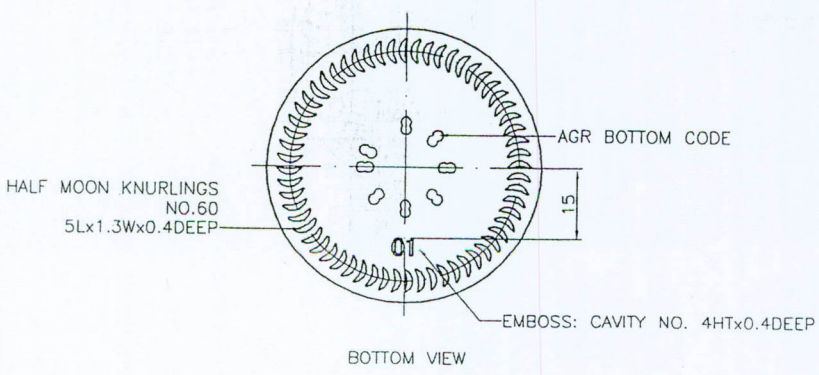


STIPPLING FOLLOW THE BOTTLE

EMBOSS: MAJAN LOGO 4HTx6.5Wx0.4DEEP



REVISION	DATE/BY	
330ML STIPPLED BOTTLE BOTTLE		
WEIGHT	230g	$\pm 7\text{g}$
NET CAP.	330ML	$\pm 5\text{ML}$
FUL CAP.	345ML	$\pm 5\text{ML}$
FINISH	26-540	
SCALE	DWG	300 ST-BTL
1:1	NO.	